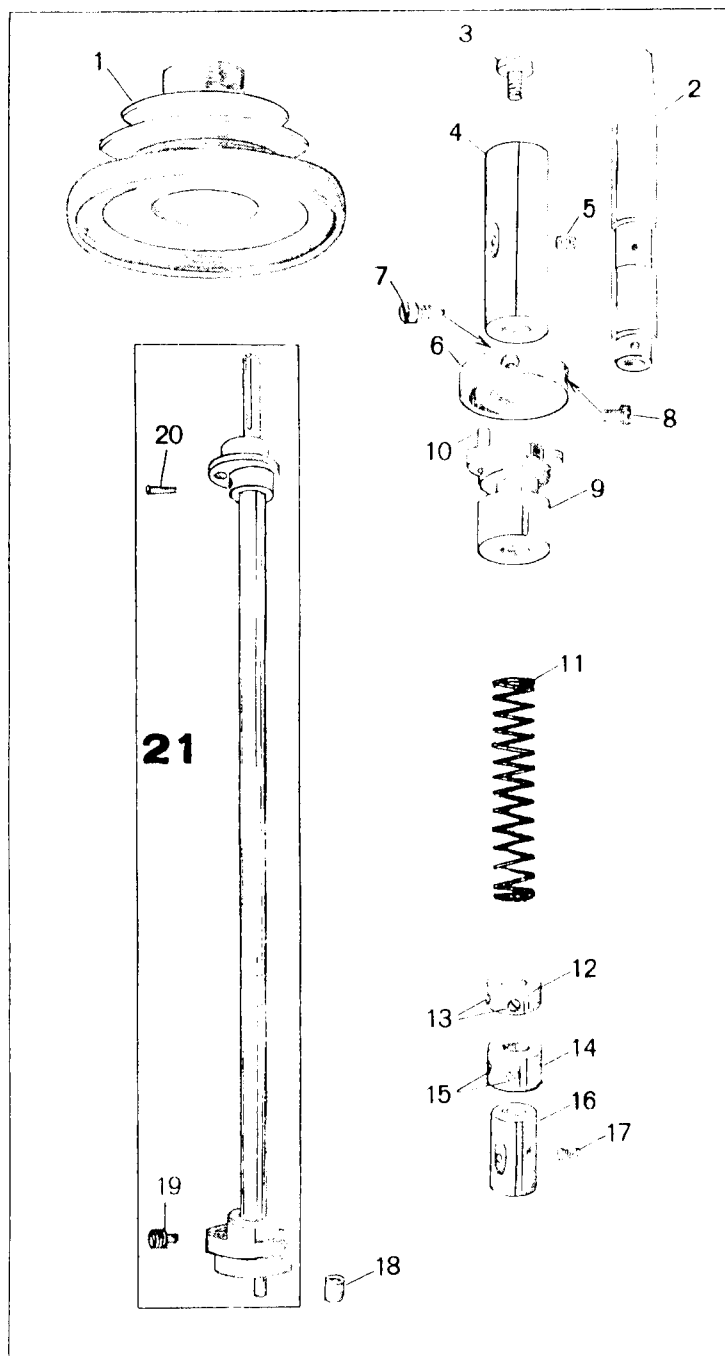


**Illustrated
Parts List**

SINGER
INDUSTRIAL PRODUCTS

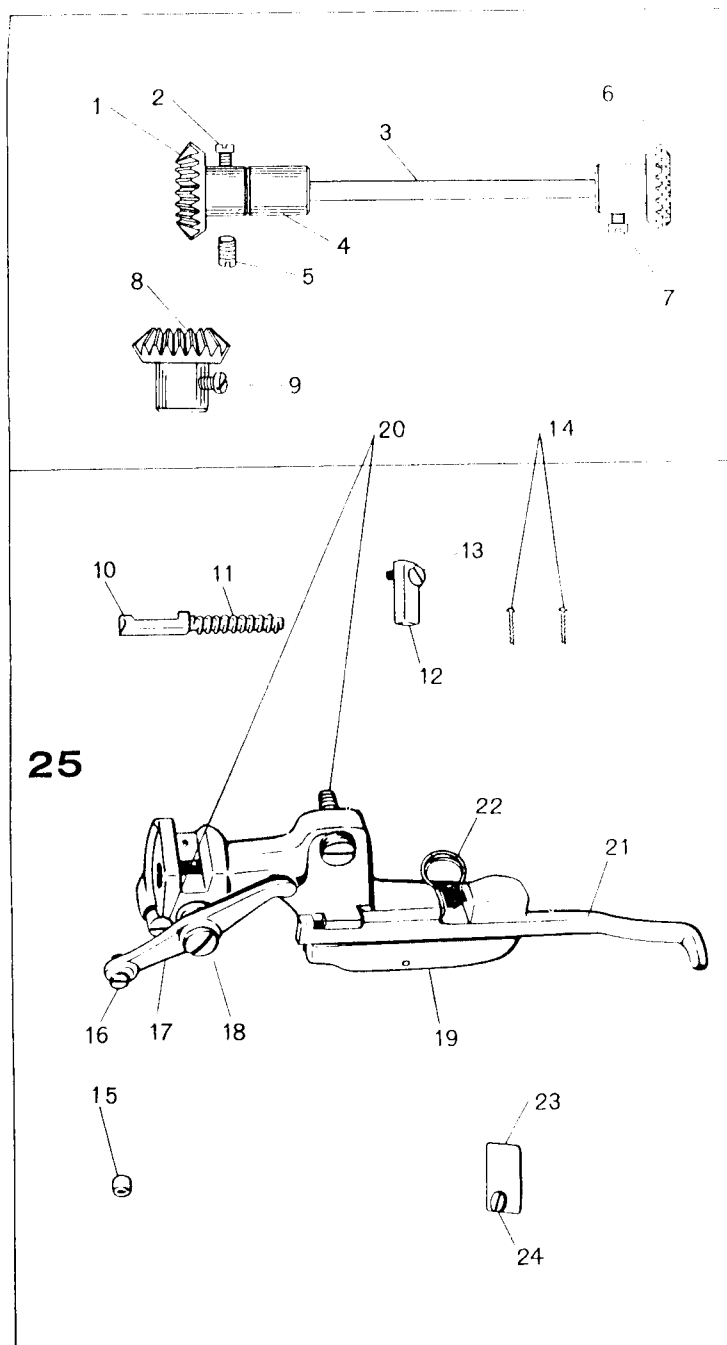
114E103

From the library of: Diamond Needle Corp



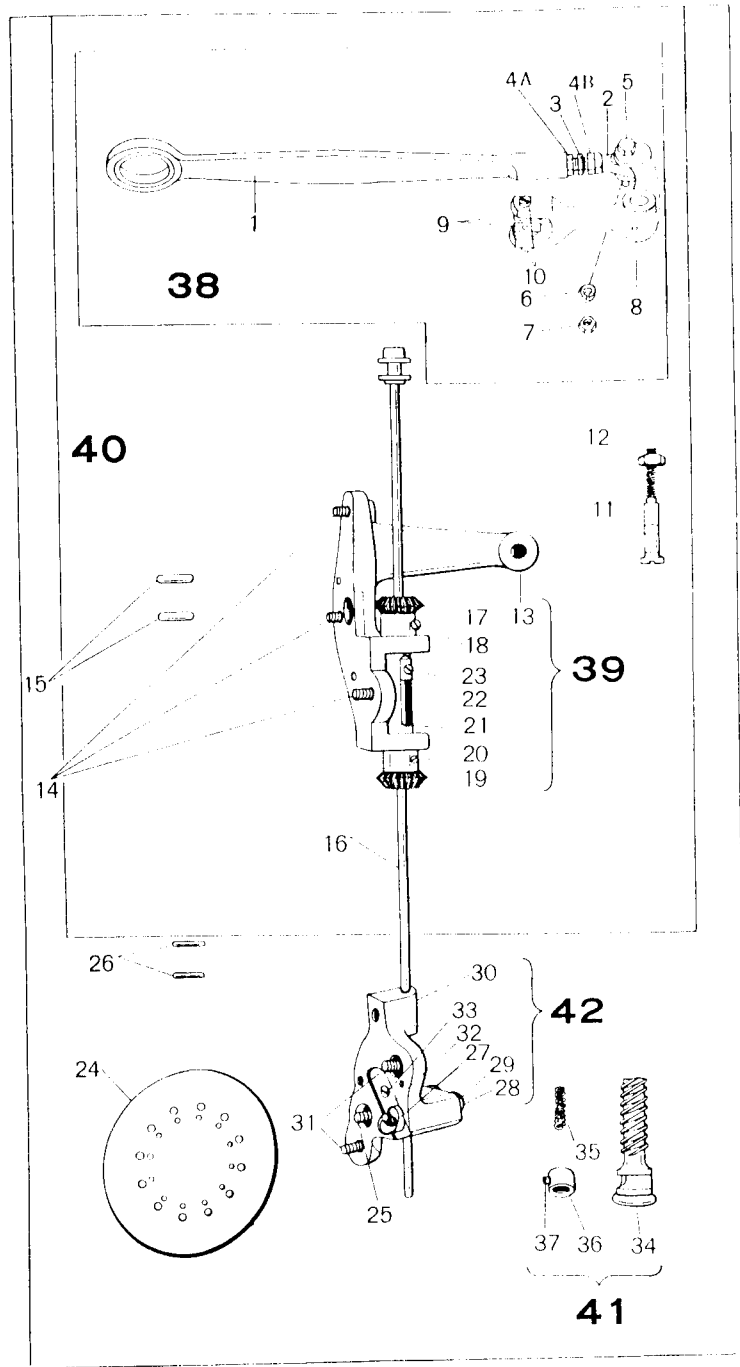
Ref. No.	Parts No.	Description
1	8017 A	Driving Pulley
2	8015	Driving Pulley Sleeve
3	8018	Driving Pulley Sleeve Screw
4	8016 A	Driving Pulley Sleeve Bushing
5	98	Driving Pulley Sleeve Bushing Screw
6	8012	Arm Shaft Driving Flange with Screws
7	8013	Arm Shaft Driving Flange Position Screw
8	8014	Arm Shaft Driving Flange Set Screw
9	8008	Stop Cam
10	8163	Stop Cam Driving stud
11	8009-A	Stop Cam Spring
12	8010	Stop Cam Spring Collar with Set Screws
13	132	Stop Cam Spring Collar Set Screw
14	5266	Arm Shaft Collar with Set Screws
15	132	Arm Shaft Collar Set Screw
16	8003-B	Arm Shaft Bushing
17	98	Arm Shaft Bushing Screw
18	8006	Needle Driving Cam Roller
19	8005-A	Needle Driving Cam Position Screw
20	8146	Looper Operating Cam Position Pin
21	813	Arm Shaft with Looper Operating Cam, Needle Driving Cam, Roller Stud, Position Pin and Position Screw

From the library of: Diamond Needle Corp



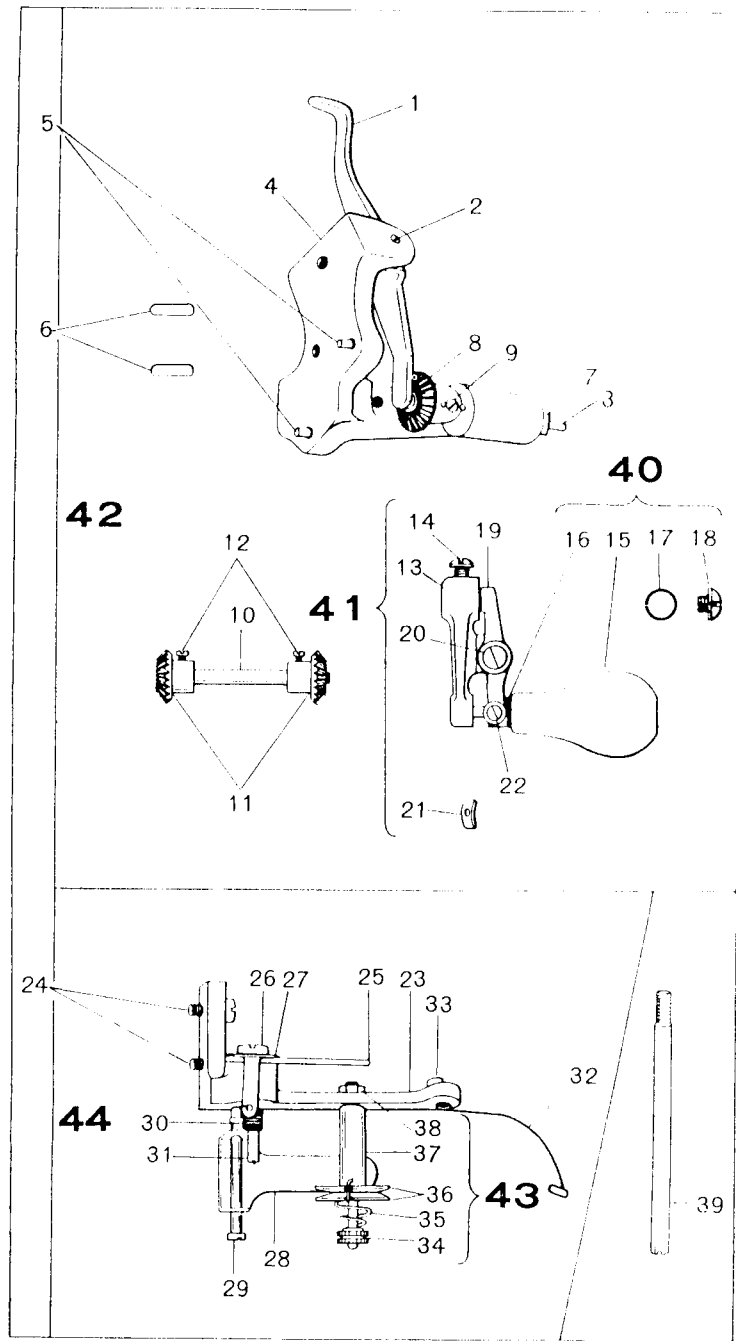
Ref. No.	Parts No.	Description
1	8110 A	Stitch Rotating Gear (upper) with Set Screw
2	8142	Stitch Rotating Gear (upper) Set Screw
3	8111	Stitch Rotating Gear Shaft
4	8180	Stitch Rotating Gear Shaft Bushing
5	132	Stitch Rotating Gear Shaft Bushing Screw
6	8112 A	Stitch Rotating Gear (lower) with Set Screw
7	8142	Stitch Rotating Gear (lower) Set Screw
8	8110-A	Feed Rotating Gear (upper) (rear) with Set Screw
9	8142	Feed Rotating Gear (upper) (rear) Set Screw
10	8079	Stop Bracket Interlocking Rod
11	8080	Stop Bracket Interlocking Rod Spring
12	8081	Stop Bracket Interlocking Stop Block
13	131 B	Stop Bracket Interlocking Stop Block Screw
14	8159	Stop Bracket Position Pin
15	8077	Stop Cam Roller
16	8078	Stop Cam Roller Screw Stud
17	8075	Stop Cam Rocking Lever
18	8076	Stop Cam Rocking Lever Hinge Screw
19	8074	Stop Bracket
20	8172	Stop Bracket Screw
21	8082	Starting Trip Lever Slide
22	8084	Starting Trip Lever Slide Spring
23	8083	Starting Trip Lever Slide Cap
24	124	Starting Trip Lever Slide Cap Screw
25	801	Stop Bracket Complete. (Ref.Nos. 10, 11, 12, 13, 15, 16, 17, 18, 19, 21, 22, 23, & 24)

From the library of: **Diamond Needle Corp**



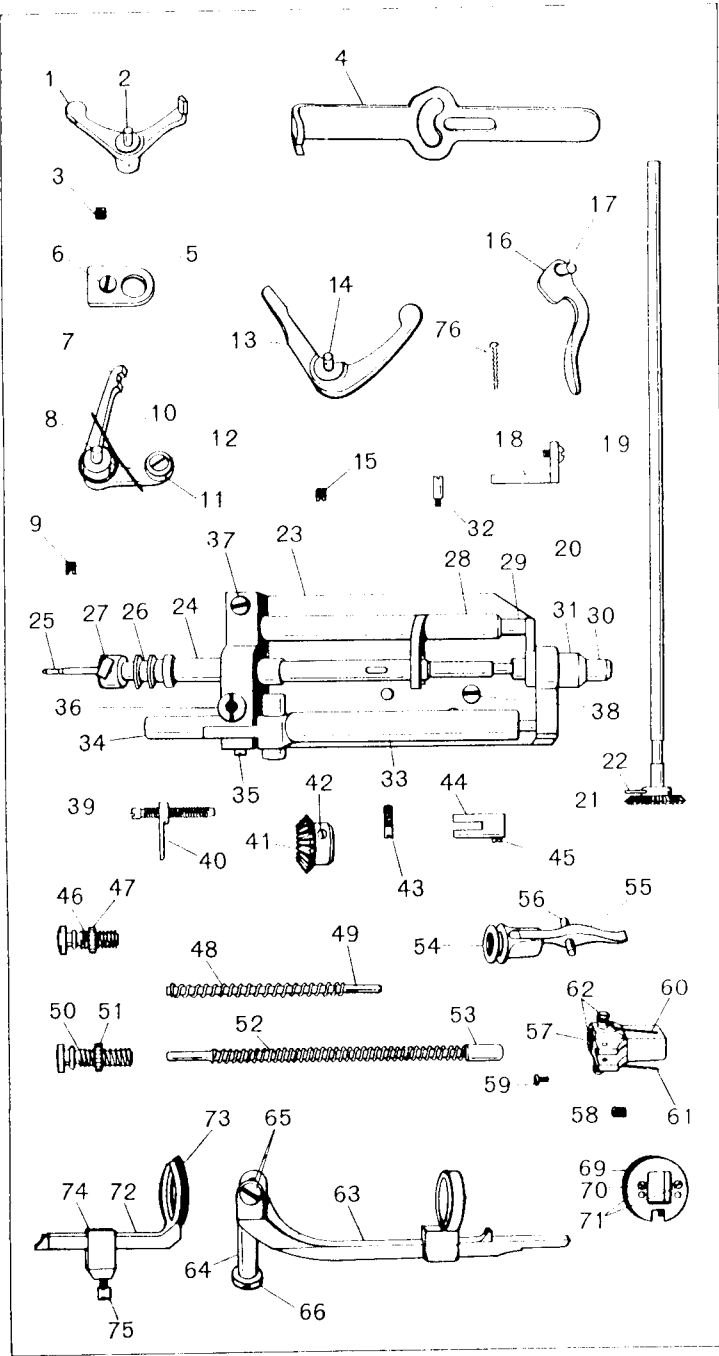
Ref. No.	Parts No.	Description
1	8085-B	Looper Operating Connection (Cam end)
2	8177	Looper Operating Connection Joint
3	8174	Looper Operating Connection Joint Pitman
4A	8175	Looper Operating Connection Joint Pitman Nut (Upper)
4B	8176	Looper Operating Connection Joint Pitman Nut (Lower)
5	8178	Looper Operating Connection Joint Hinge Stud
6	8179	Looper Operating Connection Joint Hinge Stud Spring Washer
7	5207	Looper Operating Connection Joint Hinge Stud Nut
8	8089-A	Looper Operating Bell Crank
9	8092	Looper Operating Bell Crank Hinge Block
10	8093	Looper Operating Bell Crank Hinge Block Screw
11	8090	Looper Operating Bell Crank Hinge Screw
12	8091	Looper Operating Bell Crank Hinge Screw Nut
13	8088	Looper Operating Bell Crank Bracket
14	8143	Looper Operating Bell Crank Bracket Screw
15	8149	Looper Operating Bell Crank Bracket Position Pin
16	8094	Looper Operating Shaft
17	8096-A	Looper Operating Shaft Sleeve Gear with Set Screw
18	8142	Looper Operating Shaft Sleeve Gear Set Screw
19	8097-A	Looper Operating Shaft Sleeve and Gear with Set Screw
20	8142	Looper Operating Shaft Sleeve and Gear Set Screw
21	8095-B	Looper Operating Shaft Guide
22	8098-B	Looper Operating Shaft Guide Block
23	129-B	Looper Operating Shaft Guide Block Set Screw
24	8106	Needle Plate
25	8107	Needle Plate Clamping Thumb Screw
26	8150	Presser Foot Lifting Stop Pin
27	8100-A	Looper
28	8152	Looper Collar with Set Screw
29	129-B	Looper Collar Set Screw
30	8099	Looper Bracket
31	8158	Looper Bracket Screw
32	8101	Looper Position Plate
33	124	Looper Position Plate Screw
34	8102	Looper Operating Gear (spiral)
35	8103	Looper Operating Gear Spring
36	8104	Looper Operating Collar with Set Screw
37	8105	Looper Operating Collar Set Screw
38	802-A	Looper Operating Connection Complete, (Ref. Nos.) 1, 2, 3, 4A, 4B, 5, 6, 7, 8, Two 9 & Two 10
39	803	Looper Operating Bell Crank Bracket (Ref.No.) 13 with 17 to 23
40	804-A	Looper Operating Bell Crank Bracket Complete, (Ref. Nos.) 11, 12, 16, 38 & 39
41	805	Looper Operating Gear (Ref. No.) 34 with 35, 36 & 37
42	806	Looper Bracket Complete, (Ref. Nos.) 27, 28, 29, 30, 32 & 33

From the library of Diamond Needle Corp.



Ref. No.	Parts No.	Description
1	8123	Starting Trip Lever (intermediate)
2	8124	Starting Trip Lever (intermediate) Hinge Screw
3	8122	Starting Trip Lever Rod
4	8113	Stitch Rotating Gear Bracket
5	8143	Stitch Rotating Gear Bracket Screw
6	8149	Stitch Rotating Gear Bracket Position Pin
7	8114-A	Stitch Rotating Hand Lever Shaft
8	8096-A	Stitch Rotating Hand Lever Shaft Gear with Set Screw
9	8142	Stitch Rotating Hand Lever Shaft Gear Set Screw
10	8117	Stitch Rotating Gear Bracket Shaft (intermediate)
11	8110-A	Stitch Rotating Gear Bracket Shaft (intermediate) Gear (back or front) with Set Screw
12	8142	Stitch Rotating Gear Bracket Shaft (intermediate) Gear (back or front) Set Screw
13	8115	Stitch Rotating Hand Lever with Set Screw
14	5176-A	Stitch Rotating Hand Lever Set Screw
15	8118	Stitch Rotating Hand Lever Handle
16	8116	Stitch Rotating Hand Lever Handle Sleeve
17	5070	Stitch Rotating Hand Lever Handle Sleeve Washer
18	8141	Stitch Rotating Hand Lever Handle Sleeve Screw
19	8119	Starting Trip Lever
20	8045	Starting Trip Lever Hinge Screw
21	8120	Starting Trip Lever Block
22	8121	Starting Trip Lever Block Screw Stud
23	8125	Tension Bracket
24	8143	Tension Bracket Screw
25	8131	Tension Regulating Lever
26	8132-A	Tension Regulating Lever Hinge Screw
27	4140-A	Tension Regulating Lever Hinge Screw Spring Washer
28	8127	Tension Regulating Plate
29	8128	Tension Regulating Plate Hinge Screw
30	8129-A	Tension Regulating Spring
31	8130-A	Tension Regulating Spring Screw Stud
32	8133-A	Thread Controller Spring
33	121	Thread Controller Spring Screw
34	81	Tension Thumb Nut
35	5267-A	Tension Spring
36	5190-A	Tension Disc
37	8164	Tension Stud
38	5207	Tension Stud Nut
39	8126	Spool Screw Stud
40	807	Stitch Rotating Hand Lever Handle Sleeve (Ref. No.) 16 with 15, 17 & 18
41	808	Stitch Rotating Hand Lever (Ref. No.) 13 with 14, 19, 20, 21, 22 & 40
42	809	Stitch Rotating Gear Bracket Complete, (Ref. Nos.) 1, 2, 3, 4, 7, 8, 9, 10, Two 11, Two 12 & 41
43	810	Tension Complete, (Ref. Nos.) 31, 35, Two 36, 37 & 38
44	811	Tension Bracket Complete, (Ref. Nos.) 23, 25, 26, 27, 28, 29, 30, 31, 32, 33 & 43

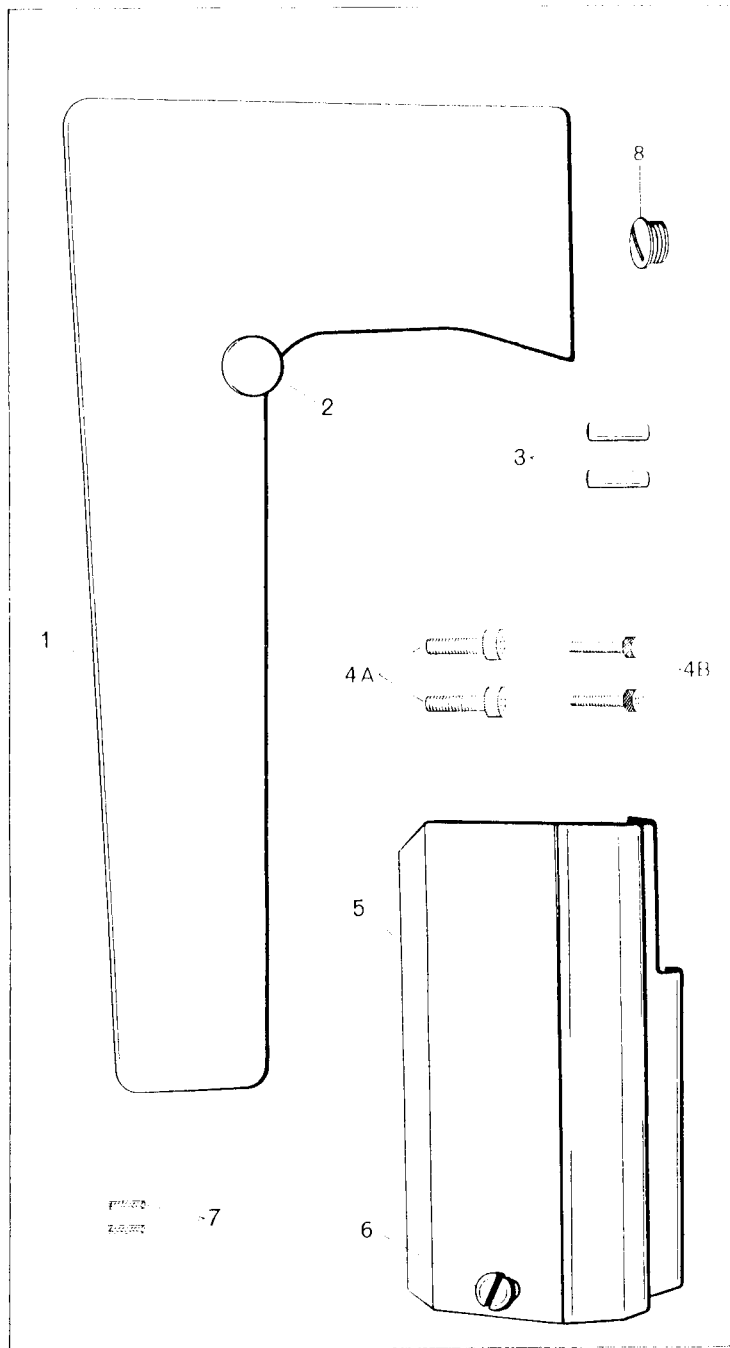
From the library of: Diamond Needle Corp.



From the library of: Diamond Needle Corp

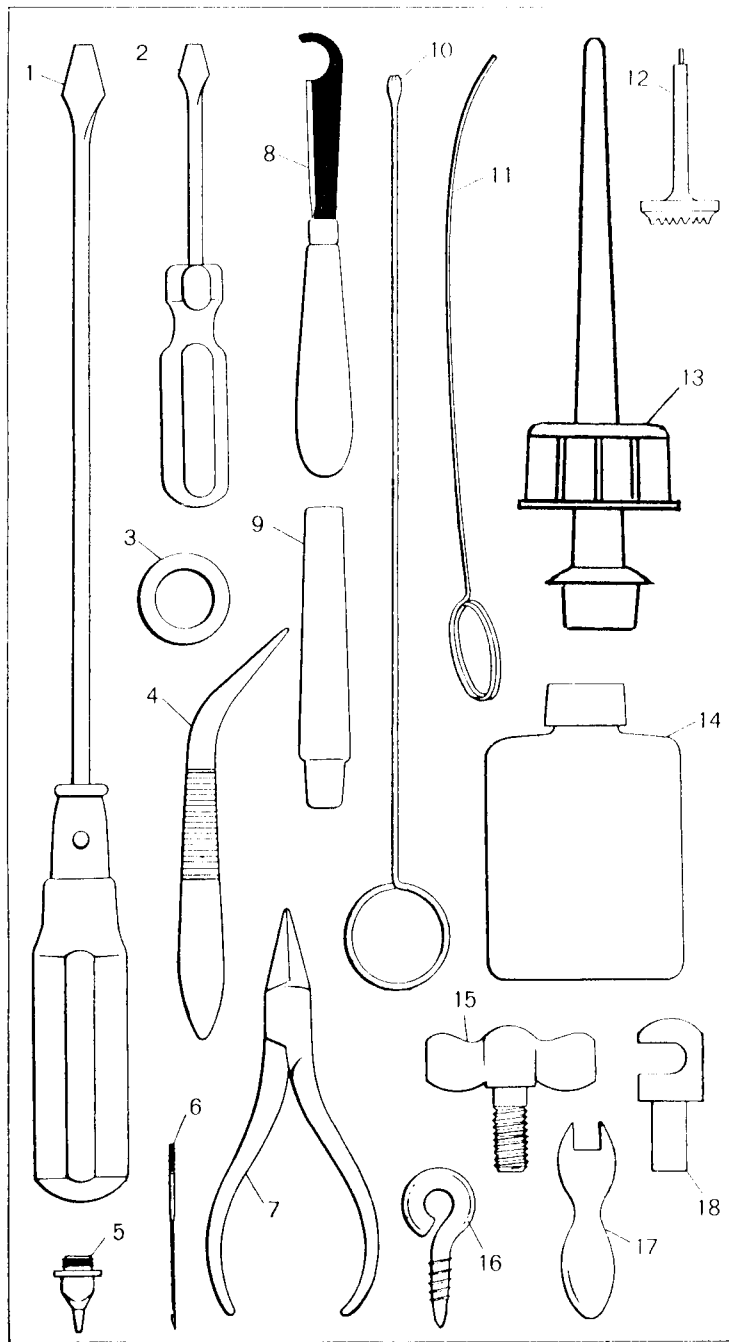
Ref. No.	Parts No.	Description				
1	8057	Nipple Carrier Bell Crank	47	8160	Nipple Carrier Thumb Screw Nut	
2	8058	Nipple Carrier Bell Crank Hinge Stud	48	8052	Nipple Carrier Spring	
3	5225-C	Nipple Carrier Bell Crank Hinge Stud Set Screw	49	8053	Nipple Carrier Extension	
4	8023	Needle Operating Slide	50	8067	Presser Foot Slide Bar Thumb Screw	
5	8028	Arm Head Sleeve Cap				(pressure regulating)
6	5176-A	Arm Head Sleeve Cap Screw	51	8161	Presser Foot Slide Bar Thumb Screw Nut	
7	8042	Feed Bell Crank	52	8065	Presser Foot Slide Bar Spring	
8	8043	Feed Bell Crank Hinge Stud	53	8066	Presser Foot Slide Bar Spring Plunger	
9	5225-C	Feed Bell Crank Hinge Stud Set Screw	54	8033	Feed Slide Block	
10	8046	Feed Bell Crank Spring	55	8034-A	Feed Lever	
11	8044	Feed Bell Crank Roller	56	8144	Feed Lever Hinge Pin	
12	8045	Feed Bell Crank Roller Screw	57	8035	Feed Lever Bracket	
13	8059	Presser Foot Slide Bell Crank	58	120-B	Feed Lever Bracket Set Screw	
14	8058	Presser Foot Slide Bell Crank Hinge Stud	59	124	Feed Lever Bracket Set Screw	
15	5225-C	Presser Foot Slide Bell Crank Hinge Stud Set Screw	60	8036	Feed Recovering Spring (left)	
16	8060-A	Presser Foot Lifter	61	8037	Feed Recovering Spring (right)	
17	8061	Presser Foot Lifter Hinge Screw	62	8038	Feed Recovering Spring Screw	
18	8055	Nipple Carrier Guide	63	8068	Presser Foot Lever with Feed Lever Bracket Guide Bearing and Pin	
19	8182	Nipple Carrier Guide Screw	64	8069-A	Presser Foot Lever Swivel	
20	8108	Feed Rotating Shaft	65	8070	Presser Foot Lever Swivel Hinge Screw	
21	8109	Feed Rotating Shaft Gear	66	5227	Presser Foot Lever Swivel Stop Screw	
22	8147	Feed Rotating Shaft Gear Position Pin	69	8039	Feed Lever Bracket Guide	
23	8019	Arm Head	70	8040	Feed Lever Bracket Guide Cap	
24	8029-A	Arm Head Sleeve	71	8136	Feed Lever Bracket Guide Cap Screw	
25	8026-A	Needle Holder	72	8071 A	Presser Foot	
26	8024	Needle Holder Clamping Sleeve	73	8073 A	Presser Foot Shoe (rubber)	
27	8025	Needle Holder Clamping Sleeve Thumb Screw	74	8072	Presser Foot Clamp	
28	8031	Feed Slide Bar	75	8025	Presser Foot Clamp Thumb Screw	
29	8049	Nipple Carrier	76	8145	Arm Head Position Pin	
30	8050	Nipple Carrier Sleeve				
31	8151	Nipple Carrier Sleeve Bushing				
32	8051	Nipple Carrier Lifting Screw Stud				
33	8062	Presser Foot Slide Bar				
34	8063	Presser Foot Slide Bar Guide				
35	8139	Presser Foot Slide Bar Adjusting Screw				
36	8020	Arm Head Screw (upper) (long)				
37	8021	Arm Head Screw (upper) (short)				
38	8022	Arm Head Screw (lower)				
39	8047	Feed Regulating Screw				
40	8048	Feed Regulating Screw Lock Lever Nut				
41	8030	Arm Head Sleeve Gear with Set Screw				
42	129-B	Arm Head Sleeve Gear Set Screw				
43	8138	Presser Foot Slide Bar Guide Set Screw				
44	8064	Presser Foot Slide Bar Spring Stop				
45	8140	Presser Foot Slide Bar Spring Stop Screw				
46	8054	Nipple Carrier Thumb Screw				(pressure regulating)

From the library of: Dixon Needle Corp



Ref. No.	Parts No.	Description
1	8135	Arm Side Cover
2	123	Arm Side Cover Thumb Screw
3	8154	Arm Position Pin
4A	8153 A	Arm Screw (long)
4B	8153-B	Arm Screw (short)
5	8134	Arm Head Cover
6	5227	Arm Head Cover Thumb Screw
7	8150	Arm Head Position Pin
8	8181	Arm Screw

From the library of: Diamond Needle Corp



Ref. No.	Parts No.	Description
1	AC 01	Screw Driver
2	AC 02	Screw Driver
3	8073-A	Presser Foot Shoe (rubber)
4	8170	Tweezers
5	8056-1	Nipple
	8056-2	Nipple
	8056-3	Nipple
	8056-4	Nipple
	8056-5	Nipple
	8056-6	Nipple
6	8027	Needle (137×1)
7	8171	Pliers
8	8168	Thread Knife
9	8169	Machine Rest Pin (wood)
10	8167	Cleaning Wire
11	8156-A	Threader Wire
12	8071-B-B	Presser Foot (spur)
13	AC 04 -A	Oiler
14	AC 05	Oil
15	8157	Bed Clamping Thumb Screw
16	8166	Screw Eye
17	8155	Nipple Wrench
18	8165	Machine Hinge Connection

From the library of: Diamond Needle Corp